

I. Main Performance

- ❖ the operating frequency: 20kHz~500kHz
- ❖ Working temperature: -40 °C to + 125 °C
- ❖ Storage temperature: -25 °C to + 85 °C
- ❖ storage humidity: 30 to 95%
- ❖ Power range:0.5W~18W

II. the main features of

- ❖ Small size, low cost, high reliability.

III. the application

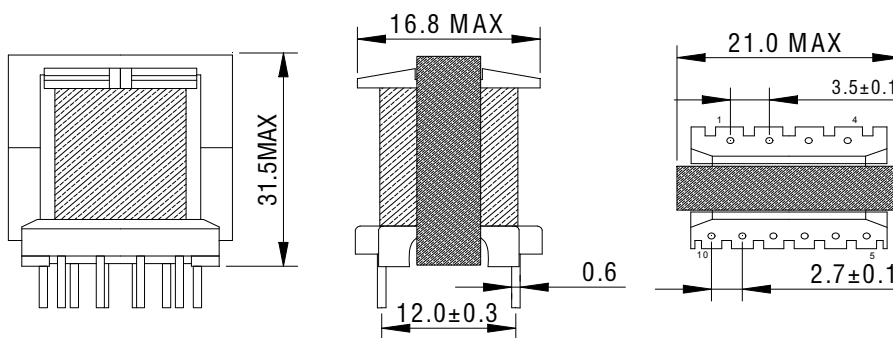
- ❖ Often used in auxiliary power transformer, DC-DC converter, drive transformers, digital cameras, hand-held switch power charger.

IV. Electrical Performance

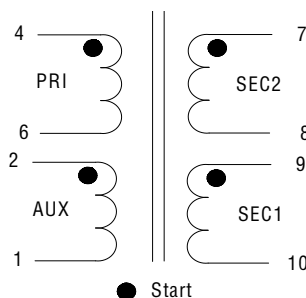
Control IC P/N	Input voltage	Power	Frequency
TOP243Y	185-265Vms	18W	132kHz
TOP243Y	85-265Vms	12W	66/132kHz
VIPer50	85-265Vms	13W	70kHz
MC33370	85-265Vms	13W	100kHz
TDA16831	92-265Vms	10W	100kHz

SIZE EL19-2 OUTPUTS:5 & 12v -FLYBACK TRANSFORMER							
Part Number	Output Power max	Windings					
			Pins	Tums	Voltage	Current max	Inductance (+/-10%)
MCTE1901	18W	Pri	4-6	108	65-130(VOR)	1.1Apeak	900uH
		Aux	2-1	12	7-14Vdc	0.1Adc	
		S1	9-10	6	3.3-7Vdc	3Adc	
		S2	7-8	14	8-16.5Vdc	1.4Adc	

V. Dimension



VI. Electrical Diagram



Welcome customized transformer.

I. Main Performance

- ❖ the operating frequency: 20kHz-500kHz
- ❖ Working temperature: -40 °C to + 125 °C
- ❖ Storage temperature: -25 °C to + 85 °C
- ❖ storage humidity: 30 to 95%
- ❖ Power range:0.5W~18W

II. the main features of

- ❖ Small size, low cost, high reliability.

III. the application

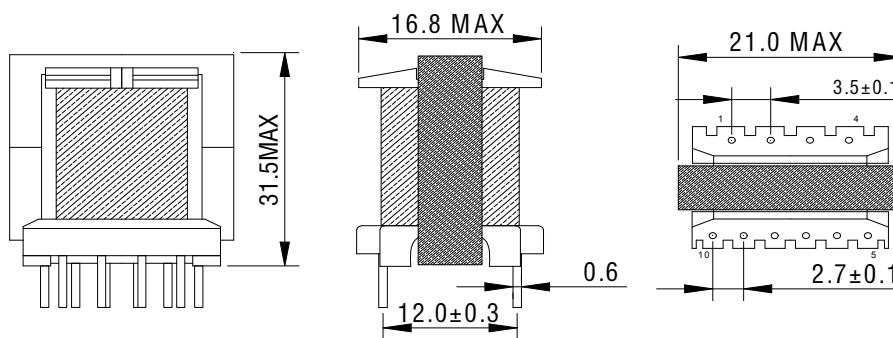
- ❖ Often used in auxiliary power transformer, DC-DC converter, drive transformers, digital cameras, hand-held switch power charger.

IV. Electrical Performance

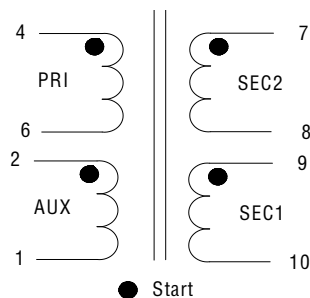
Control IC P/N	Input voltage	Power	Frequency
TOP243Y	185-265Vms	18W	132kHz
TOP243Y	85-265Vms	12W	66or132kHz
VIPer50	85-265Vms	13W	70kHz
MC33370	85-265Vms	13W	100kHz
TDA16831	92-265Vms	10W	100kHz

SIZE EL19-2 OUTPUTS:5 & 12v -FLYBACK TRANSFORMER							
Part Number	Output Power max	Windings					
			Pins	Tums	Voltage	Current max	Inductance (+/-10%)
MCTE1902	18W	Pri	4-6	108	65-130(VOR)	1.1Apeak	900uH
		Aux	2-1	12	7-14Vdc	0.1Adc	
		S1	9-10	6	3.3-7Vdc	3Adc	
		S2	7-8	14	8-16.5Vdc	1.4Adc	

V. Dimension



VI. Electrical Diagram



Welcome customized transformer.

I. Main Performance

- ❖ the operating frequency: 20kHz-500kHz
- ❖ Working temperature: -40 °C to + 125 °C
- ❖ Storage temperature: -25 °C to + 85 °C
- ❖ storage humidity: 30 to 95%
- ❖ Power range:0.5W~18W

II. the main features of

- ❖ Small size, low cost, high reliability.

III. the application

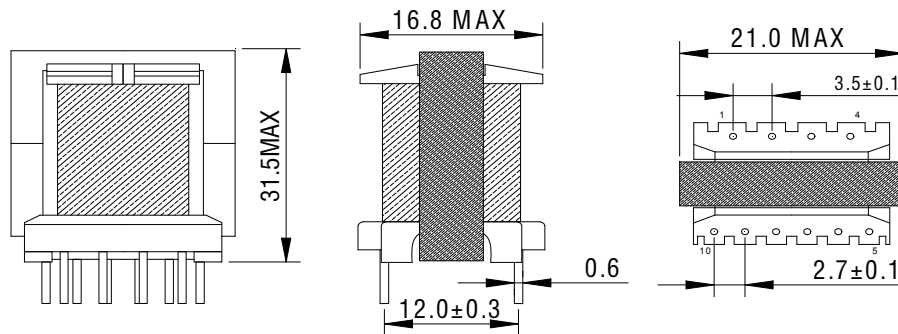
- ❖ Often used in auxiliary power transformer, DC-DC converter, drive transformers, digital cameras, hand-held switch power charger.

IV. Electrical Performance

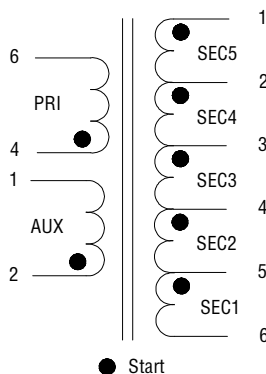
Control IC P/N	Input voltage	Power	Frequency
TOP243P	185-265Vms	16W	132kHz
TOP243P	85-265Vms	12W	132kHz

SIZE EL19-5 OUTPUTS:3.3/5/12/18/30v -FLYBACK TRANSFORMER							
Part Number	Output Power max	Windings					Inductance (+/-10%)
			Pins	Tums	Voltage	Current max	
MCTE1903	16W	Pri	9-10	120	110(VOR)	0.85Apeak	1250uH
		Aux	8-7	17	15Vdc	0.2Adc	
		S1	5-6	4	3.3Vdc	2Adc	
		S2	4-6	6	5Vdc	Sum S1+S2	
		S3	3-6	14	12Vdc	0.8Adc	
		S4	2-6	20	18Vdc	0.8Adc	
		S5	1-6	33	30Vdc	0.2Adc	

V. Dimension



VI. Electrical Diagram



Welcome customized transformer.